



# SILOS

# GALVANIZED SILOS

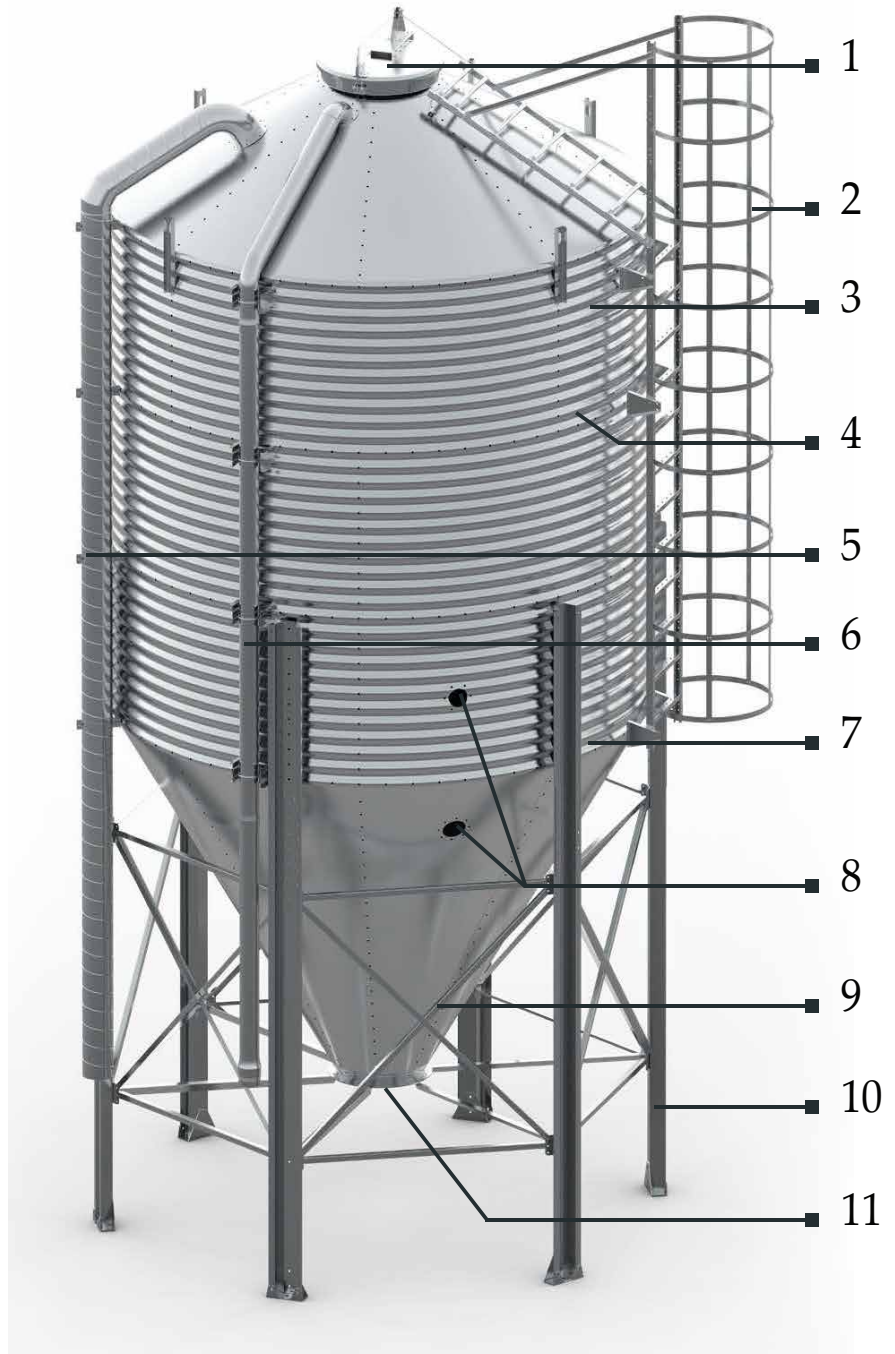
Porktec offers high quality silos made of high quality constructional galvanized steel with zinc coating 350 g/m<sup>2</sup> along with all required accessories. The silos are designed for powder and granulated feed storage (max. density: up to 650 kg/m<sup>3</sup>) with possibility of mechanical and/or pneumatical loading. All types of spiral, tubular and chain feeding systems are easily connected to the silo through the 60 degrees bottom funnel and diameter of 440 mm.

## Advantages

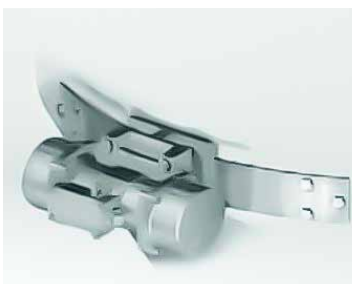
- High structural strength
- Resistance to corrosion and deformation + long service life
- Stable feed temperature in the silo under all conditions preventing feed spoilage
- Precise production technology, easy and fast assembly

## Key

- 1- Central inlet point
- 2- Main entrance ladder with protection cage
- 3- Galvanized steel
- 4- Screwed by big and hard screws
- 5- Venting pipe
- 6- Pneumatic loading pipe
- 7- Rain cover protection
- 8- Inspection windows (on a funnel and first ring)
- 9- 60° funnel / 67° funnel
- 10- Legs
- 11- Ø 440 mm outlet



## Silos accessories



Vibrator



Side outlet



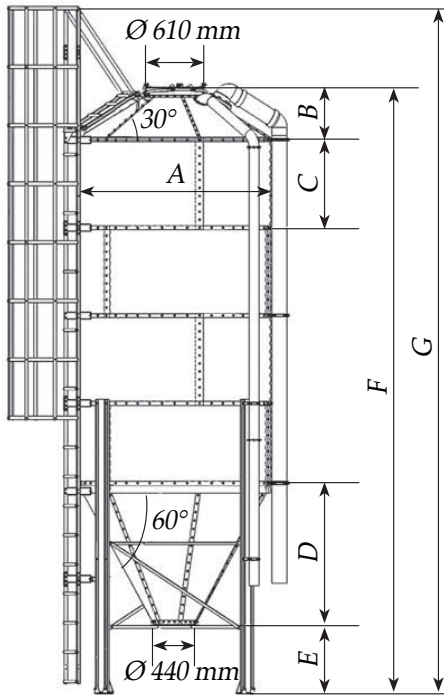
Feed truck connection



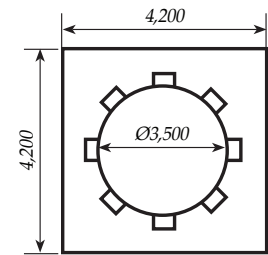
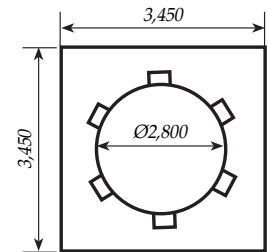
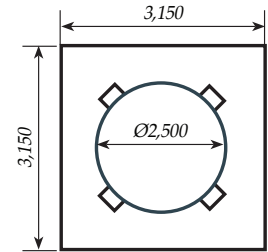
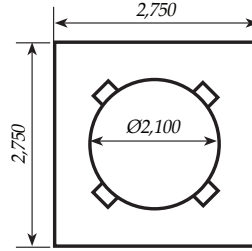
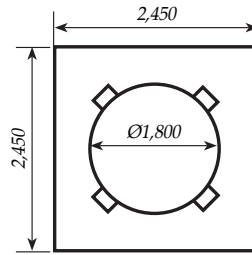
Short ground hook-in ladder

# GALVANIZED SILOS

## Technical data



### FOUNDATIONS SIZE



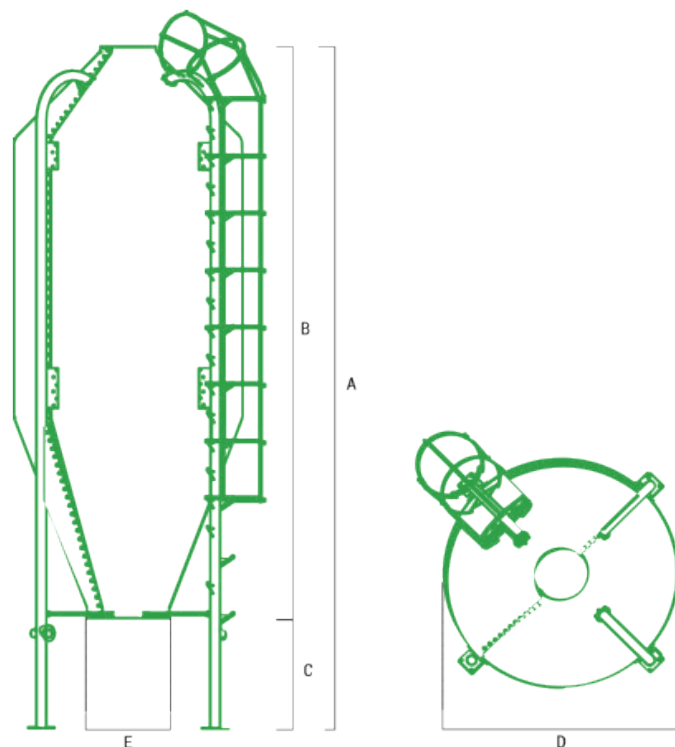
| Diameter A (mm) | Capacity (m <sup>3</sup> ) | Capacity (Ton) | Num of legs | B (mm) | C (mm) | D (mm) | E (mm) | F (mm) | G (mm) |
|-----------------|----------------------------|----------------|-------------|--------|--------|--------|--------|--------|--------|
| 1,800           | 4.2                        | 2.8            | 4           | 478    | 902    | 1,237  | 750    | 3,367  | 4,030  |
| 1,800           | 6.6                        | 4.4            | 4           | 478    | 902    | 1,237  | 750    | 4,269  | 4,932  |
| 1,800           | 9.0                        | 6.0            | 4           | 478    | 902    | 1,237  | 750    | 5,171  | 5,834  |
| 2,100           | 9.0                        | 6.0            | 4           | 552    | 902    | 1,461  | 750    | 4,567  | 5,072  |
| 2,100           | 12.1                       | 8.1            | 4           | 552    | 902    | 1,461  | 750    | 5,469  | 5,974  |
| 2,100           | 15.2                       | 10.2           | 4           | 552    | 902    | 1,461  | 750    | 6,371  | 6,876  |
| 2,100           | 18.3                       | 12.3           | 4           | 552    | 902    | 1,461  | 750    | 7,273  | 7,778  |
| 2,500           | 13.6                       | 9.2            | 4           | 672    | 902    | 1,803  | 750    | 5,031  | 5,418  |
| 2,500           | 18.0                       | 12.1           | 4           | 672    | 902    | 1,803  | 750    | 5,931  | 5,318  |
| 2,500           | 22.4                       | 15.0           | 4           | 672    | 902    | 1,803  | 750    | 6,833  | 7,220  |
| 2,500           | 26.8                       | 18.0           | 4           | 672    | 902    | 1,803  | 750    | 7,735  | 8,122  |
| 2,500           | 31.2                       | 20.9           | 4           | 672    | 902    | 1,803  | 750    | 8,637  | 9,024  |
| 2,800           | 12.2                       | 8.2            | 6           | 757    | 902    | 2,065  | 750    | 4,474  | 4,760  |
| 2,800           | 17.8                       | 11.9           | 6           | 757    | 902    | 2,065  | 750    | 5,376  | 5,662  |
| 2,800           | 23.4                       | 15.7           | 6           | 757    | 902    | 2,065  | 750    | 6,278  | 6,564  |
| 2,800           | 29.0                       | 19.4           | 6           | 757    | 902    | 2,065  | 750    | 7,180  | 7,466  |
| 2,800           | 34.6                       | 23.2           | 6           | 757    | 902    | 2,065  | 750    | 8,082  | 8,368  |
| 2,800           | 40.2                       | 26.9           | 6           | 757    | 902    | 2,065  | 750    | 8,984  | 9,270  |
| 2,800           | 45.8                       | 30.7           | 6           | 757    | 902    | 2,065  | 750    | 9,886  | 10,172 |
| 3,500           | 21.6                       | 14.5           | 8           | 961    | 902    | 2,660  | 750    | 5,273  | 6,169  |
| 3,500           | 30.3                       | 20.3           | 8           | 961    | 902    | 2,660  | 750    | 6,175  | 7,071  |
| 3,500           | 39.0                       | 26.1           | 8           | 961    | 902    | 2,660  | 750    | 7,077  | 7,973  |
| 3,500           | 47.7                       | 32.0           | 8           | 961    | 902    | 2,660  | 750    | 7,979  | 8,875  |
| 3,500           | 56.4                       | 37.8           | 8           | 961    | 902    | 2,660  | 750    | 8,881  | 9,777  |
| 3,500           | 65.1                       | 43.6           | 8           | 961    | 902    | 2,660  | 750    | 9,783  | 10,679 |
| 3,500           | 73.8                       | 49.5           | 8           | 961    | 902    | 2,660  | 750    | 10,685 | 11,581 |

# FIBERGLASS SILOS

Fiberglass silos are used for cereal (grain), feed granulated and ground bulk products storage. It provides the right environment for a proper ensiling process to take place, thereby minimizing feed loss and making a high percentage of the nutrients grown in the feed available to livestock.

## Characteristics

- 🔗 Light and air tight
- 🔗 High efficiency and reliability
- 🔗 Zero maintenance care
- 🔗 High mechanical resistance
- 🔗 Corrosion resistance
- 🔗 Long working life
- 🔗 Feed level indicator
- 🔗 Stored products flow out more easily
- 🔗 Easy to assemble



| Capacity (m <sup>3</sup> ) | Numb of legs | A (mm) | B (mm) | C (mm) | D (mm) | E (mm) |
|----------------------------|--------------|--------|--------|--------|--------|--------|
| 3.5                        | 3            | 3,610  | 2,410  | 1,200  | 1,600  | 860    |
| 6                          | 3            | 4,320  | 3,120  | 1,200  | 1,900  | 860    |
| 8.5                        | 3            | 5,080  | 3,880  | 1,200  | 2,010  | 860    |
| 10                         | 3            | 5,565  | 4,365  | 1,200  | 2,055  | 860    |
| 12                         | 3            | 5,650  | 4,450  | 1,200  | 2,280  | 860    |
| 14                         | 3            | 6,030  | 4,830  | 1,200  | 2,320  | 860    |
| 17.5                       | 3            | 6,690  | 5,490  | 1,200  | 2,350  | 860    |
| 20                         | 4            | 7,225  | 6,025  | 1,200  | 2,390  | 860    |
| 26                         | 4            | 7,985  | 6,785  | 1,200  | 2,545  | 860    |
| 31                         | 4            | 9,025  | 7,825  | 1,200  | 2,540  | 860    |
| 46                         | 4            | 9,430  | 8,330  | 1,100  | 3,000  | 860    |
| 56                         | 4            | 10,745 | 9,745  | 1,000  | 3,000  | 860    |
| 70                         | 4            | 12,820 | 11,820 | 1,000  | 3,000  | 860    |